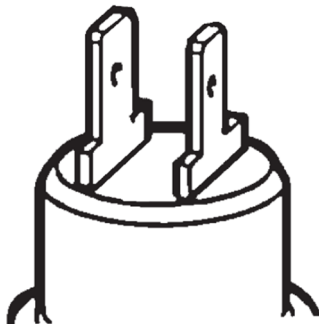
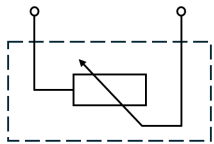


TEMPERATURE SENSORS



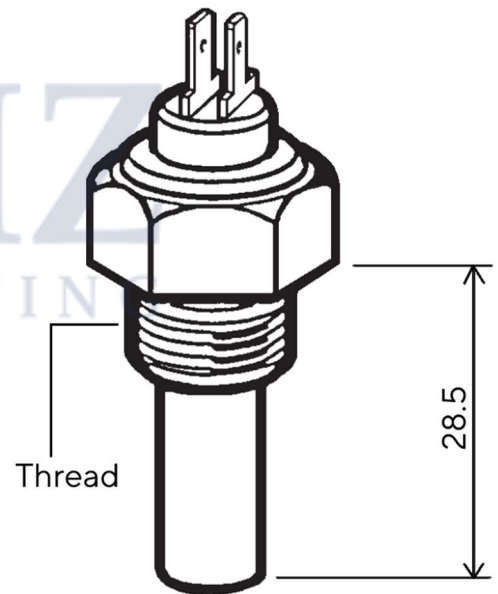
- These resistive temperature sensors are built in a housing of brass.
- All sensors come with a sensor output and an insulated ground pin. The two connections are interfaced through the metal plate connectors.
- The sensors can be applied in a wide field of applications.

Connectors:
Blade Terminal
6.3 x 0.8 mm



Measurement range	0-120°C or 0-150°C
Output signal	Standard 120° or 150° curves
Protection Rating	IP67
Temperature response time	Min. 3 minutes

ART.NR.	SENSOR TYPE	THREAD	RANGE
B001999	Water Temp	1/2"-14NPT	120°C
B002000	Water Temp	1/4"-18NPT	120°C
B002001	Water Temp	M14x1.5	120°C
B002002	Water Temp	M16x1.5	120°C
B002003	Engine Oil Temp	1/2"-14NPT	150°C
B002004	Engine Oil Temp	3/8"-18NPT	150°C
B002005	Engine Oil Temp	M14x1.5	150°C
B002006	Engine Oil Temp	M16x1.5	150°C



TEMPERATURE	WATER	OIL
40 °C	300 Ω ±8.0%	-
50 °C	205 Ω ±7.5%	362 Ω ±7.5%
60 °C	142 Ω ±7.0%	251 Ω ±7.0%
70 °C	101 Ω ±6.4%	178 Ω ±6.5%
80 °C	72.5 Ω ±6.0%	128 Ω ±6.0%
90 °C	53.2 Ω ±5.5%	94.0 Ω ±5.5%
100 °C	39.6 Ω ±5.5%	70.0 Ω ±5.0%
110 °C	30.0 Ω ±5.5%	53.0 Ω ±5.5%
120 °C	22.9 Ω ±6.0%	38.1 Ω ±12%
130 °C	-	31.4 Ω ±6.2%
140 °C	-	24.7 Ω ±6.5%
150 °C	-	19.6 Ω ±7.0%

